

1.2m Quick Deploy Antenna

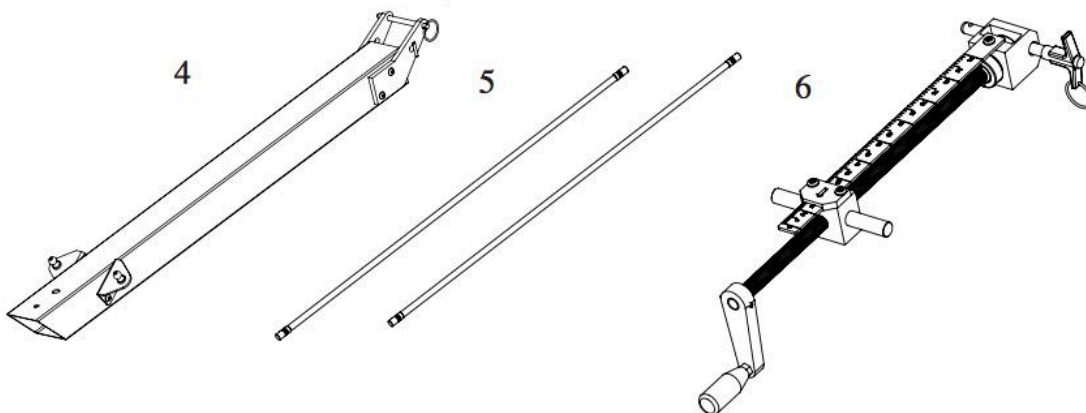
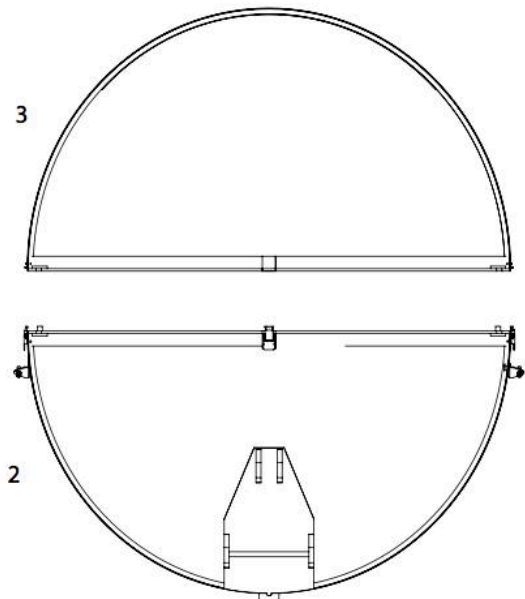
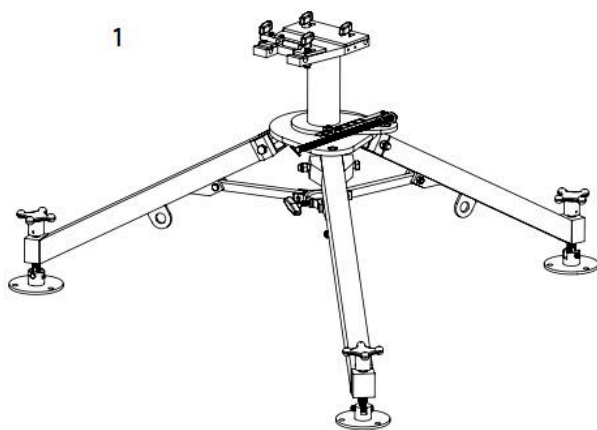
Assembly Manual



01.800.999.5222 | México D.F | 55.8851.8727 - 55.8851.8728

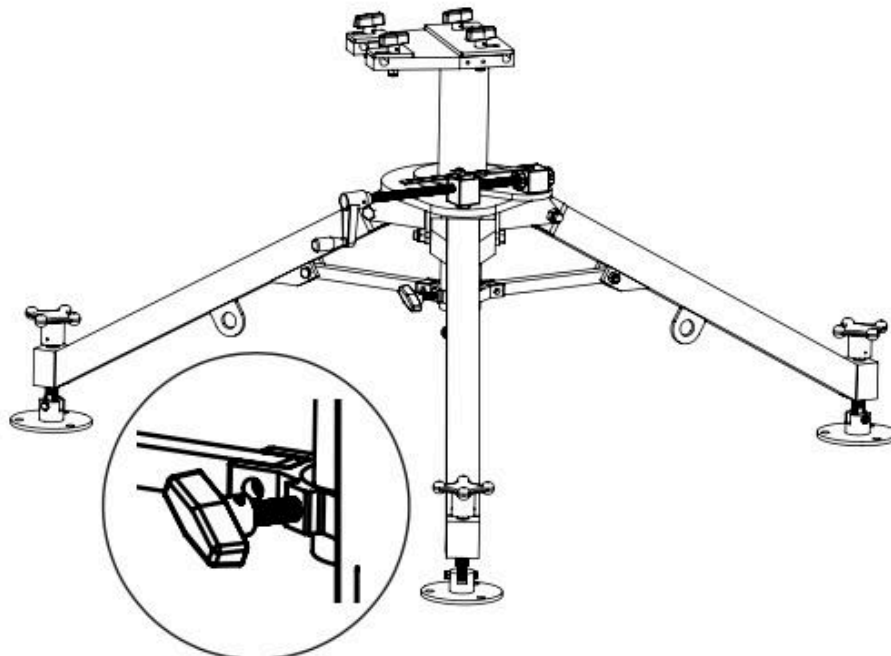
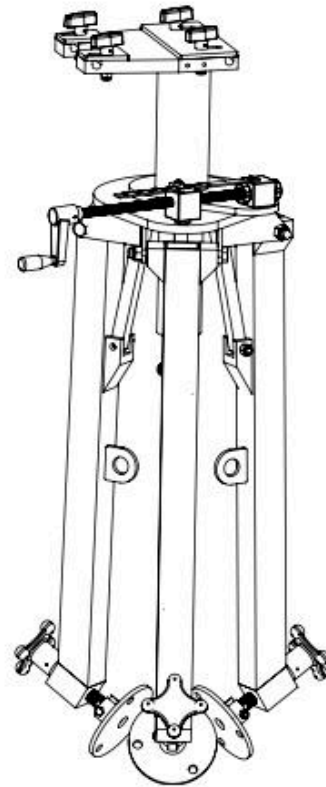
1.2m Quick Deploy Antenna

ITEM NUMBER	PART NUMBER	DESCRIPTION	QTY
1	CHA-12F-A005	1.0/1.2 QD TRIPOD MOUNT	1
2	CHA-12F-A011	1.2 SPLIT DISH, BOTTOM REF ASSY	1
3	CHA-12F-A010	1.2 SPLIT DISH, TOP REF ASSY	1
4	CHA-12F-A008	1.2 SPLIT DISH, FEEDHORN ASSY	1
5	CHA-12F-A009	1.2 SPLIT DISH, FEED STRUT ASSY	2
6	CHA-12F-A014	1.2 SPLIT DISH, ELEV ROD ASSY	1



1.2m Quick Deploy Antenna

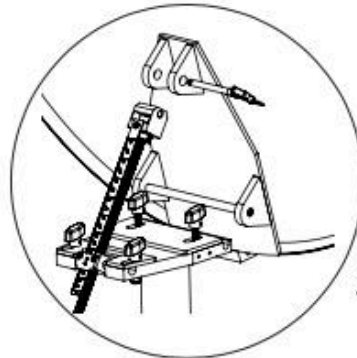
UNBOX AND UNFOLD TRIPOD
ASSEMBLY AND LOCK LEG
ASSEMBLIES INTO PLACE WITH
THREADED KNOB AS PICTURED IN
DETAIL "A."



DETAIL: A

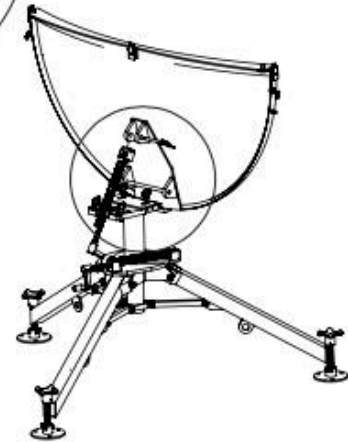
01.800.999.5222 [México D.F] 55.8851.8727 - 55.8851.8728

1.2m Quick Deploy Antenna

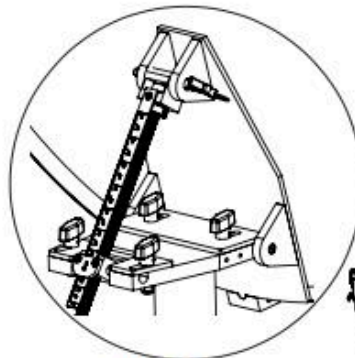


DETAIL: D

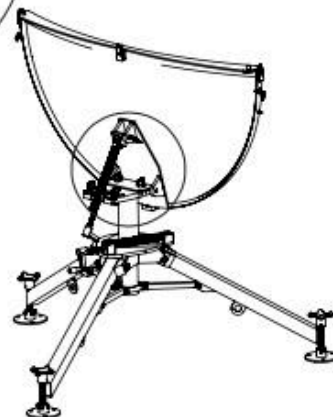
ATTACH LOWER REFLECTOR PANEL TO TRIPOD MOUNT AS PICTURED IN DETAIL "D." ATTACH ELEVATION ASSEMBLY TO REFLECTOR ASSEMBLY USING QUICK RELEASE PIN AS PICTURED IN DETAIL "D."



LOCK LOWER REFLECTOR PANEL INTO PLACE BY SLIDING LOCK PLATE OVER PIVOTS AND TIGHTENING THREADED KNOBS AS PICTURED IN DETAIL "E."

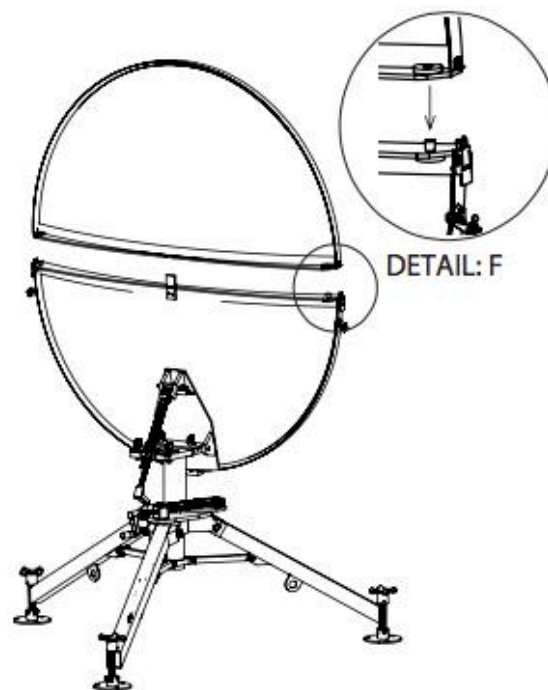


DETAIL: E



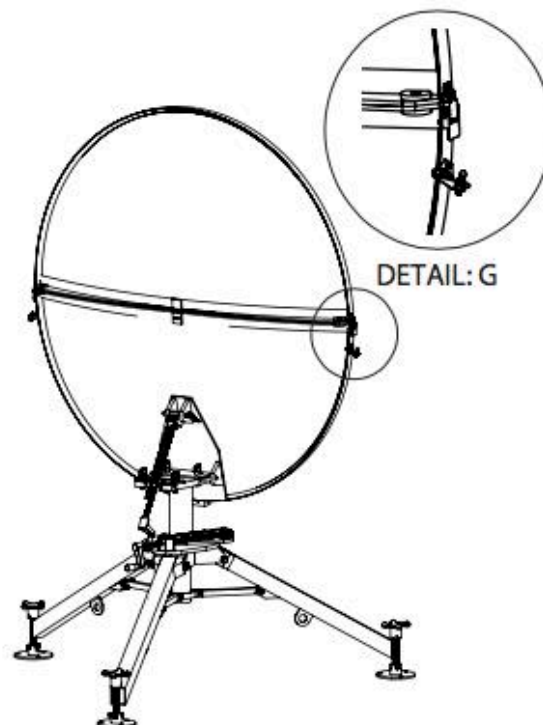
01.800.999.5222 | México D.F | 55.8851.8727 - 55.8851.8728

1.2m Quick Deploy Antenna



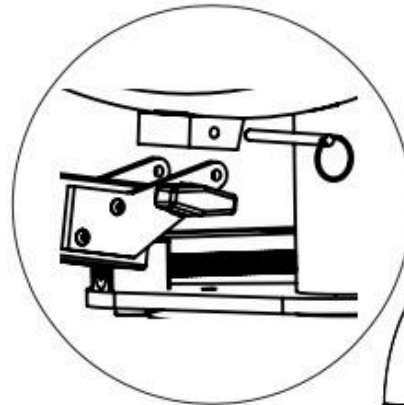
ATTACH UPPER PANEL ASSEMBLY
TO LOWER PANEL ASSEMBLY
MAKING SURE THE DOWEL PINS
FIT SECURELY IN PLACE AS
PICTURED IN DETAIL "F."

LOCK PANELS TOGETHER WITH
CLASPS AS PICTURED IN DETAIL "G."



01.800.999.5222 [México D.F] 55.8851.8727 - 55.8851.8728

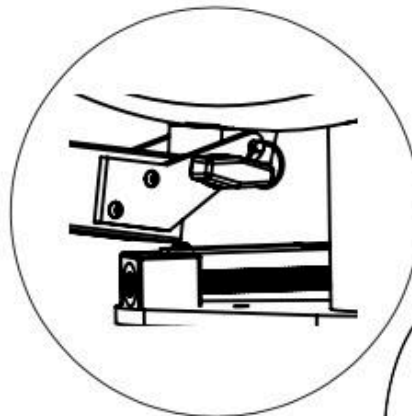
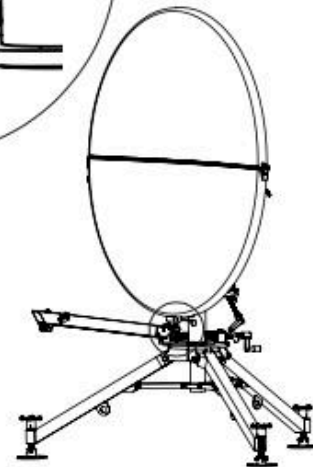
1.2m Quick Deploy Antenna



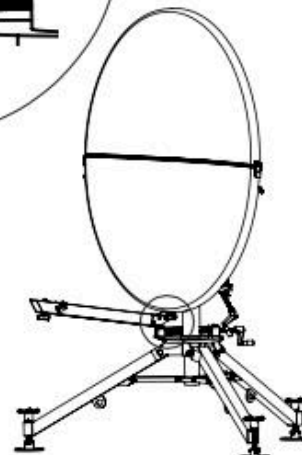
DETAIL: F

ATTACH FEED BOOM TO LOWER REFLECTOR BY REMOVING QUICK RELEASE PIN FROM FEED BOOM AS PICTURED IN DETAIL "F."

LINE MOUNTING HOLES IN FEED BOOM TO ATTACHMENT BLOCK ON LOWER REFLECTOR. INSERT PIN AS PICTURED IN DETAIL "G."



DETAIL: G



01.800.999.5222 | México D.F | 55.8851.8727 - 55.8851.8728

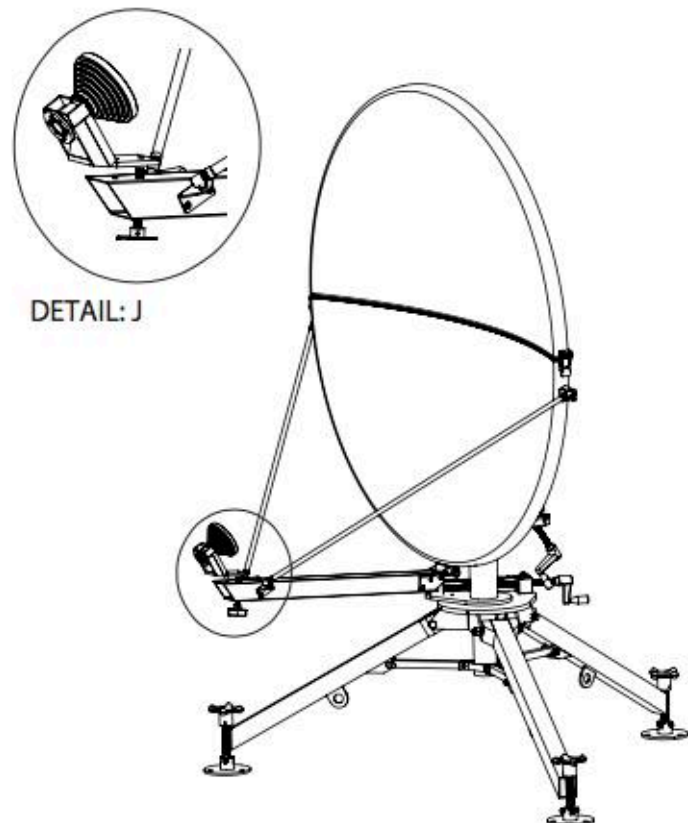
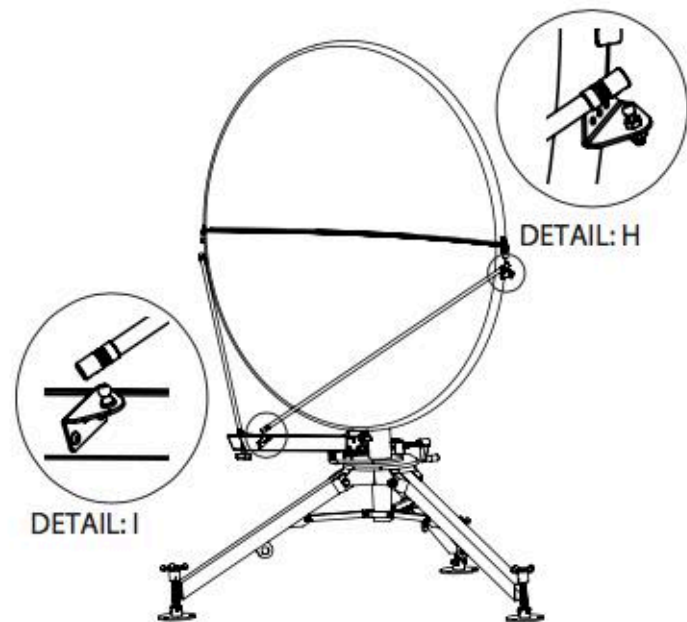
1.2m Quick Deploy Antenna

SNAP FEED BOOM STRUTS TO FEED BOOM AND REFLECTOR SIDES AS PICTURED IN DETAILS "H & I."

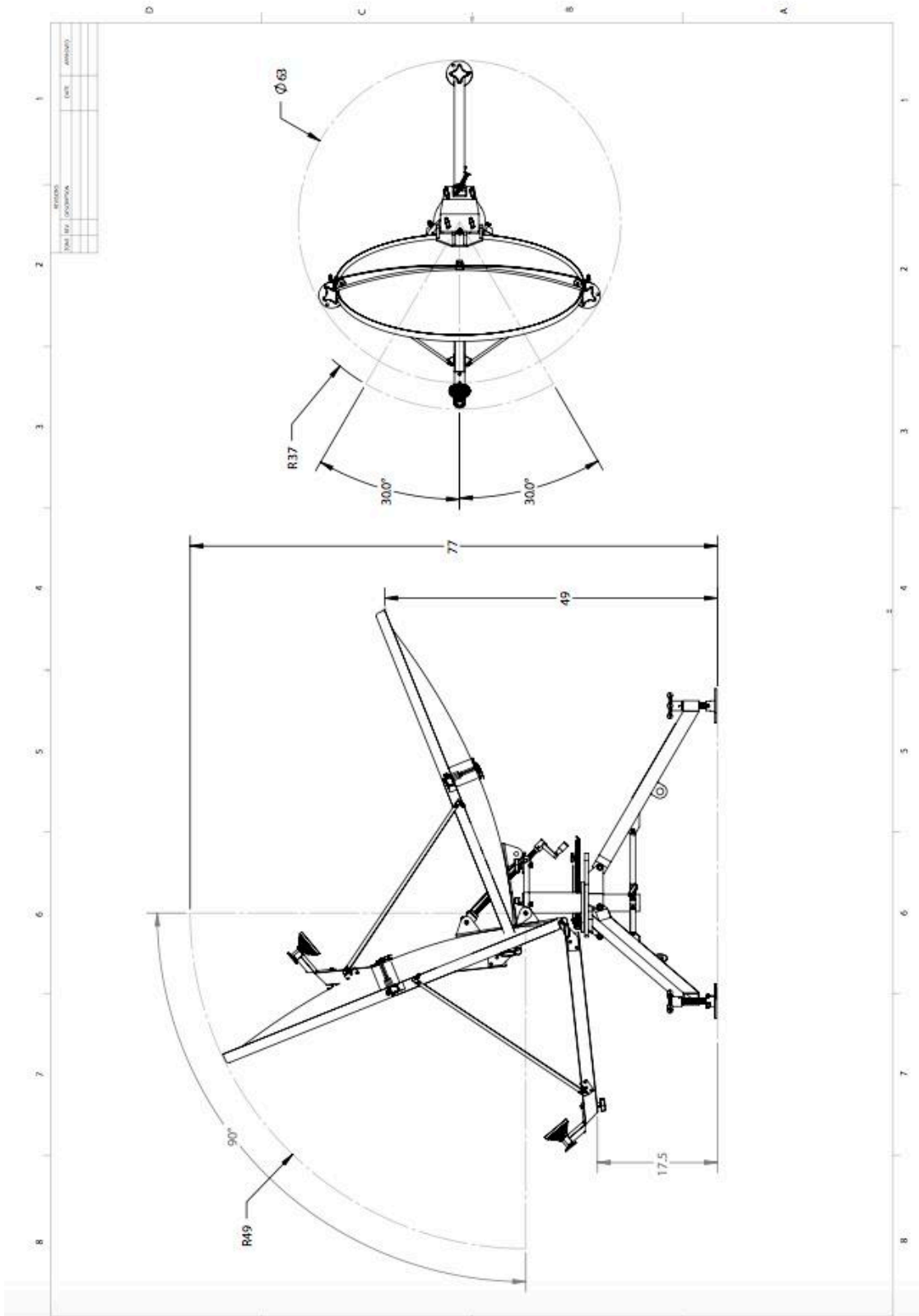
TIGHTEN THREADED KNOB AS PICTURED IN DETAIL "G," IF SO EQUIPPED.

ATTACH FEED ASSEMBLY TO FEED BOOM ASSEMBLY. SECURE WITH THREADED KNOB AS PICTURED IN DETAIL "J."

NOTE:
DESIGN SUBJECT TO CHANGE
WITH OUT NOTICE.



1.2m Quick Deploy Antenna



01.800.999.5222 | México D.F | 55.8851.8727 - 55.8851.8728

1.2m Quick Deploy Antenna

Feed Adjustment (Polarity tuning)

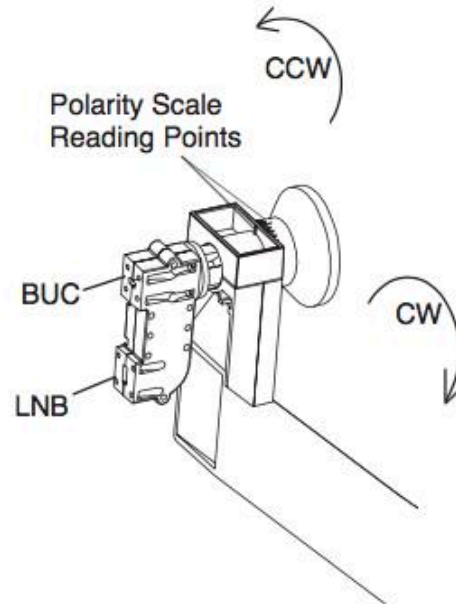
1. Adjust the Feed to the appropriate skew angle using the provided scale reference.

NOTE: Refer to the chart on back for polarization angle. Elevation and polarity are both dependent on site azimuth and the difference between satellite and site longitude.

NOTE: Some satellites have a slant angle with respect to the satellite belt angle. Contact the satellite operator for details.

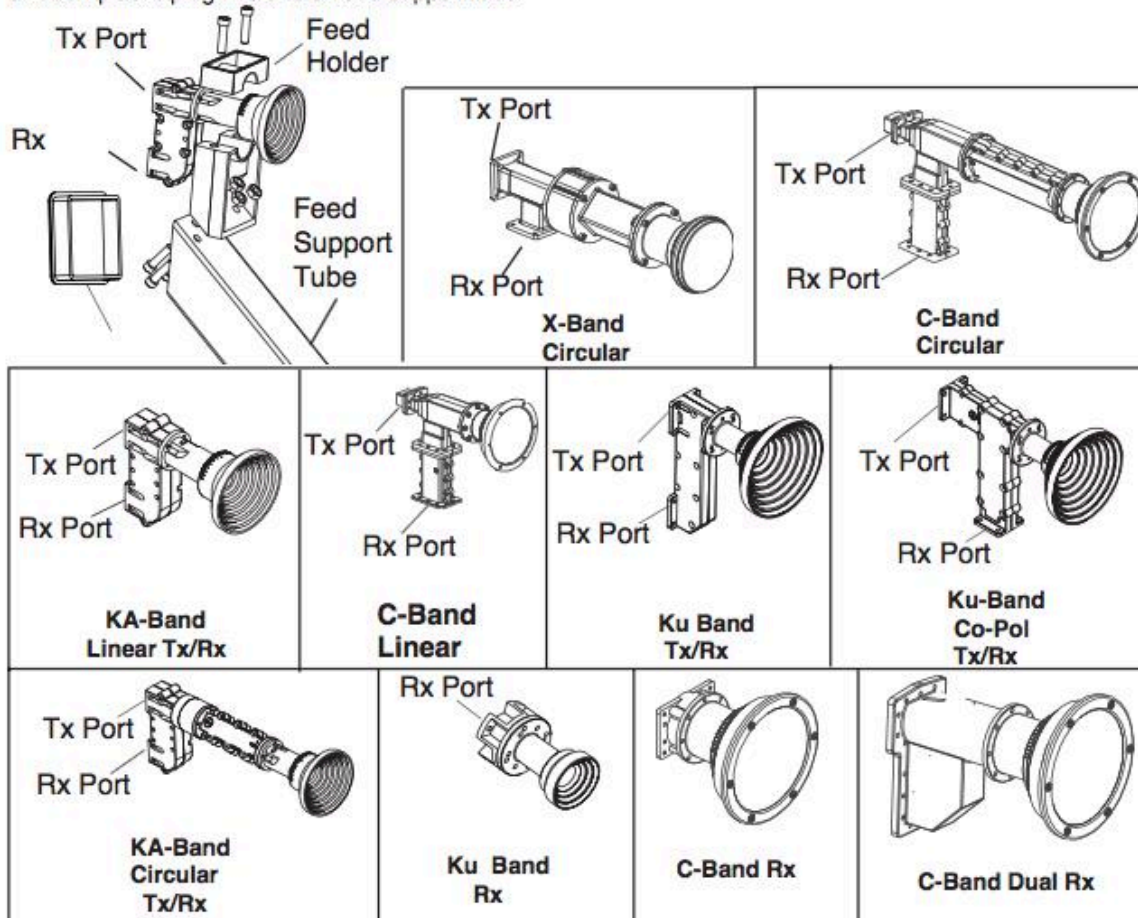
Feed Rotation Chart

Install site west of satellite	Install site East of satellite	
CW	CCW	Northern Hemisphere
CCW	CW	Southern Hemisphere



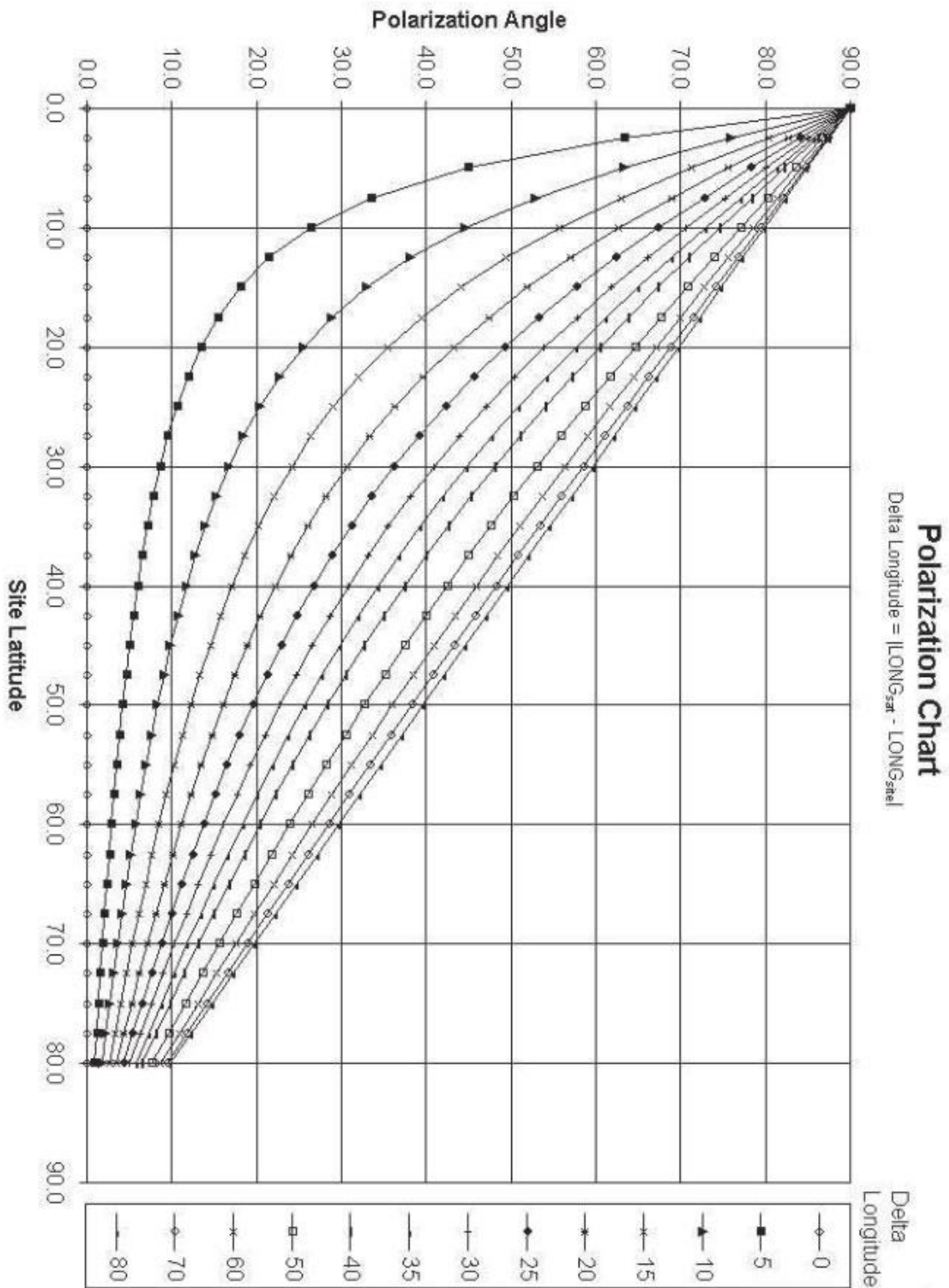
Feed Assembly

1. Attach the relevant Feed Assembly.
2. Insert the Feed Assembly into the Feed holder and assemble to the Feed Support Tube using the hardware illustrated below.
3. Insert plastic plug into end of feed support tube.



01.800.999.5222 [México D.F] 55.8851.8727 - 55.8851.8728

1.2m Quick Deploy Antenna



01.800.999.5222 | México D.F. | 55.8851.8727 - 55.8851.8728